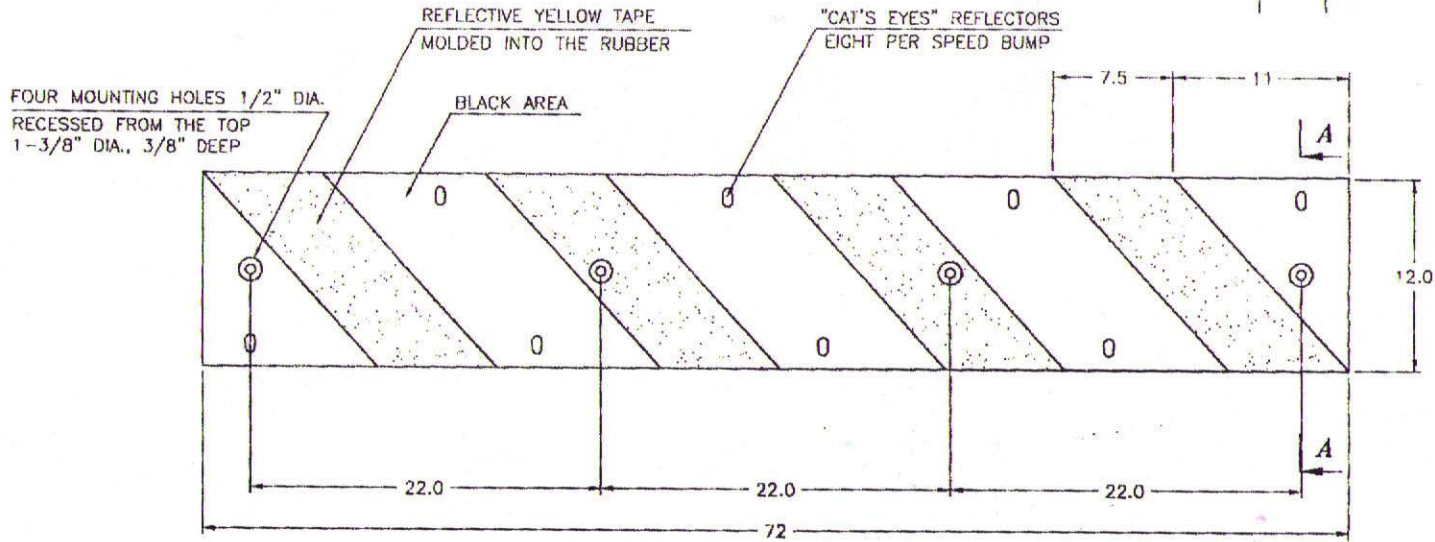
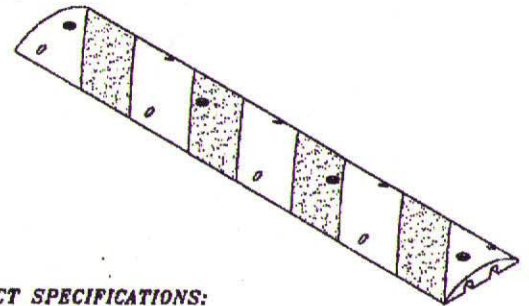
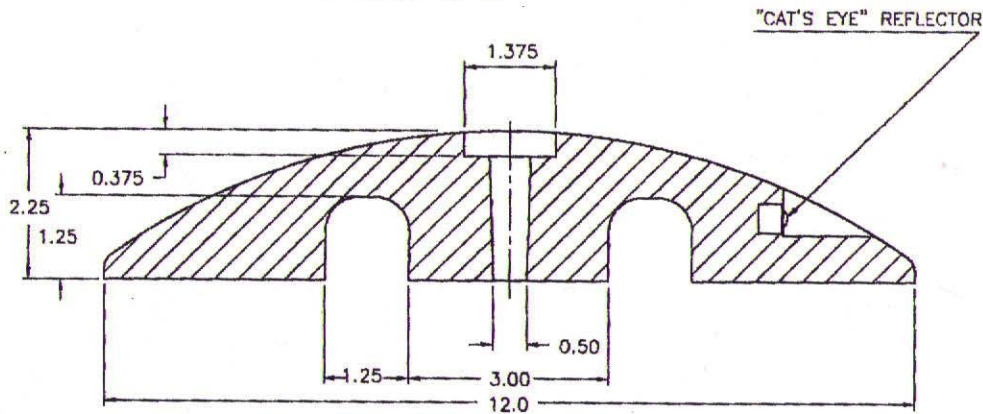


TOP VIEW

REV.	DESCRIPTION	DATE
1	UPDATED MATERIAL AND DIMENSIONS	JULY 03/03



SECTION A-A



PRODUCT SPECIFICATIONS:

1. MATERIAL: COMPRESSION MOLDED RECYCLED RUBBER COMPOSITE
2. NOMINAL DIMENSIONS: 72" L x 12" W x 2.25" H
3. FOUR MOUNTING HOLES 1/2" DIA. (RECESSED 1-3/8" DIA. AND 3/8" DEEP, TO ACCOMMODATE A WASHER OR SPIKE'S HEAD) ARE PROVIDED FOR INSTALLATION WITH SPIKES OR HILTI ANCHORS
4. MOLDED IN FOUR DURABLE YELLOW STRIPES COVERED WITH THE GLASS BEADS, PROVIDE GOOD VISIBILITY DURING DAY AND NIGHT
5. EIGHT "CAT'S EYES" REFLECTORS (FOUR PER SIDE) PROVIDE ADDITIONAL REFLECTIVITY AT NIGHT
6. WEIGHT OF THE PRODUCT: 51 lbs.

UNLESS OTHERWISE SPECIFIED : DIMENSIONS ARE IN INCHES TOLERANCES		GNR TECHNOLOGIES INC		
DECIMALS	ANGULAR	RUBBER SPEED BUMP 6 FT. MODEL		
.x ± 1/8"	±.05°			
.xx ± 1/16"		DRAWN	DATE	SIZE
		S. JONASZ	SEP. 17/98	C
CHECKED	DATE	SCALE	DWG NO.	SHEET
		1=6	6SBQ1-1	
DESIGN	DATE	MATERIAL	SHEET	
S. JONASZ	SEP. 17/98			