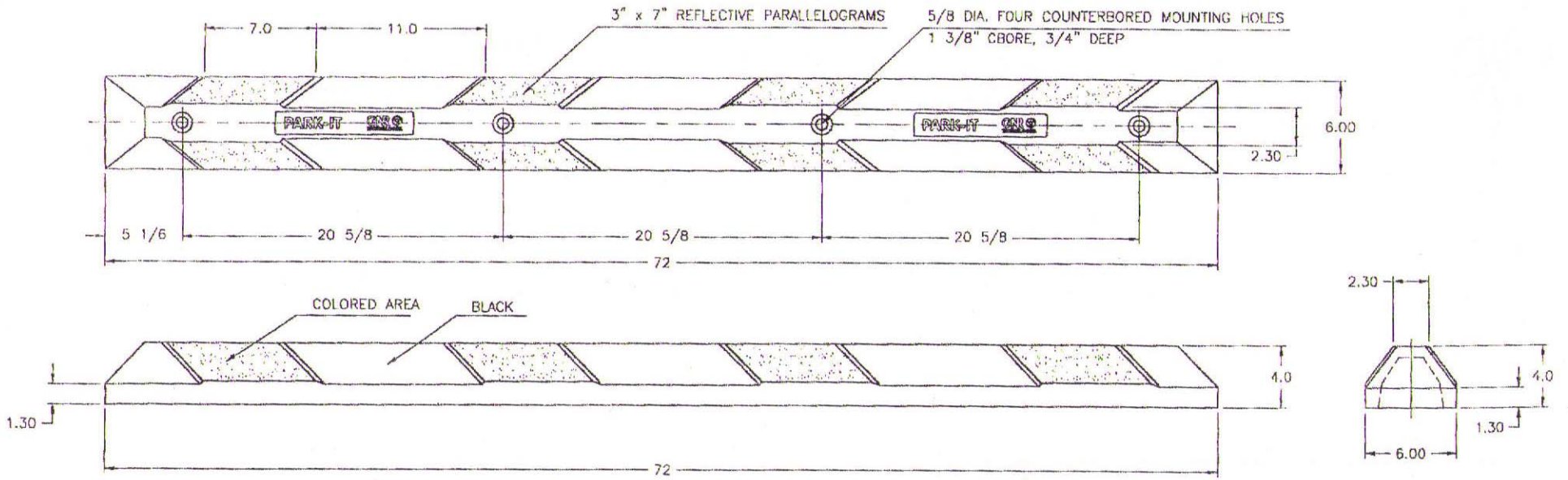
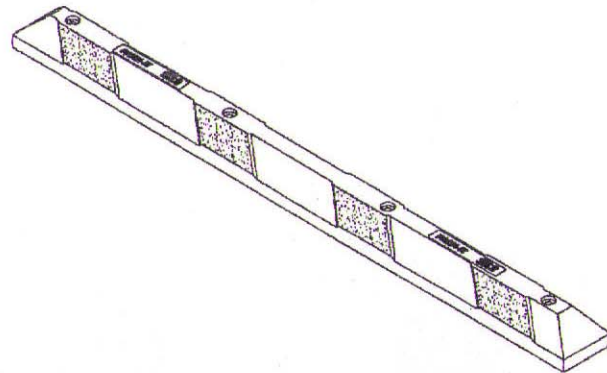
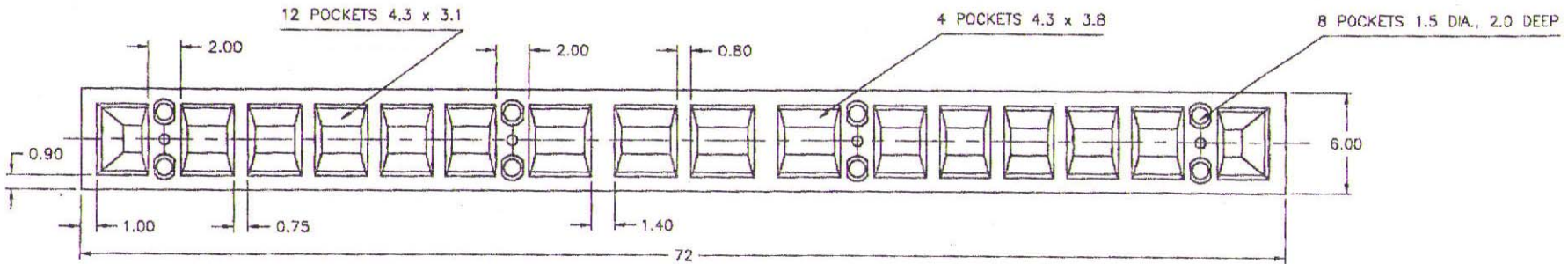


TOP VIEW



BOTTOM VIEW



PRODUCT SPECIFICATIONS:

1. MATERIAL: COMPRESSION MOLDED RECYCLED RUBBER COMPOSITE
2. NOMINAL DIMENSIONS: 72"L x 6"W x 4"H
3. NOMINAL WEIGHT OF THE PRODUCT: 34 lbs.
4. COLOR: BLACK WITH REFLECTIVE YELLOW, BLUE OR WHITE STRIPES

UNLESS OTHERWISE SPECIFIED : DIMENSIONS ARE IN INCHES TOLERANCES		GNR TECHNOLOGIES INC.		
DECIMALS	ANGULAR			
x ± 1/8"	± .05°	RUBBER PARKING CURB 6 FT. MODEL		
.xx ± 1/16"				
DRAWN S. JONASZ	DATE JUL. 26/99	SCALE 1=5	DWG NO. 34PC02V3	SIZE C
CHECKED	DATE	MATERIAL	SHEET	
DESIGN S. JONASZ	DATE JUL. 26/99			